

# Dixie-Narco®



Lawrence Street  
Ranson, West Virginia 25438

(304) 725-3481  
(800) 624-0553

## Service Bulletin #

August 29, 1980  
~~Revised Item #5 April 1, 1981~~  
Revised - April 22, 1981  
Revised - June 5, 1981

MODELS: Adaptable Red Cam  
Dual Adaptable Red Cam

SUBJECT: Canada, Shimming Information (See Service Bulletin #180)

NOTE: Venders produced for the Canadian Market DO NOT have the following in them when produced, to vend the 10 oz. can:

### ITEM

1.	1	C176,011,100.03	LH 10 oz. Can Shim	Each Standard Column
2.	1	C176,011,200.03	RH 10 oz. Can Shim	
3.	1	B231,010,020.03	Formed 10 oz. Can Shim LS	Each Narrow Column
4.	2	B231,070,290.03	Flat Shims RS	
5.	1	B231,010,500.03	Rod Ass'y - installed in "C" Hole	

Order Items 1 thru 5 thru Sales

Item #5 - Rod Ass'y.

### INSTALLATION:

Place Item #1 in left side of Standard Column.  
Place Item #2 in right side of Standard Column.  
Place Item #3 in left side of Narrow Column.  
Place Item #4 in right side of Narrow Column when using rimless cans.

DO NOT place Item #4 in right side of Narrow Column when using rimmed cans.  
Place Item #5 in "C" Hole of Vend Rotor (Spring toward rear) of Narrow Column.

To Dispense 10 oz. Bottles or  
Other Bottles of Various Sizes

Order applicable  
Bottle Guide & Shim Kit  
ie indicate Model # of Vender

See Service Bulletin #180  
(Shimming Instructions)

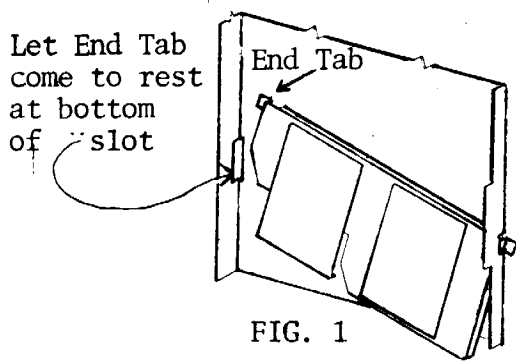


FIG. 1  
Standard Column  
Right Side Only  
Is Shown.

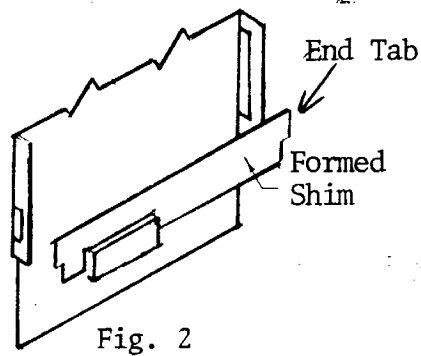


Fig. 2  
Narrow Column  
Left Side

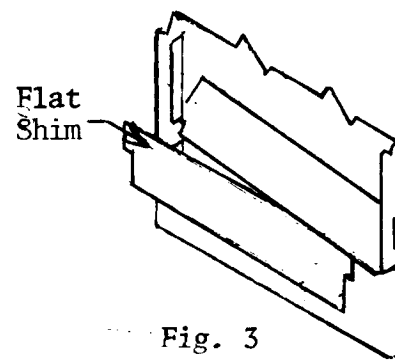


Fig. 3  
Narrow  
Column  
Right Side